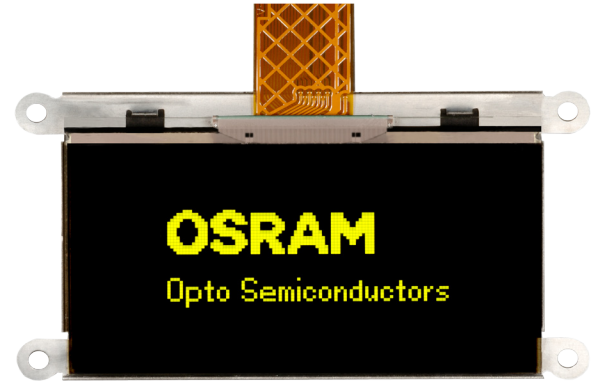


# OLED DISPLAY SOLUTIONS

# Pictiva™ 2.7-inch 128x64 OLED display



OS128064PK27MxxA00

### Features

- Long-lifetime OLED
- Industry standard size
- 180° viewing angle
- Fast response, video capable
- High contrast
- Wide operating temperature range
- Thin profile (3.4mm)
- RoHS compliant

### Benefits

- Ease of readability
- No backlight required
- Excellent presentation of graphic or text images
- Upgrade path from standard LCDs

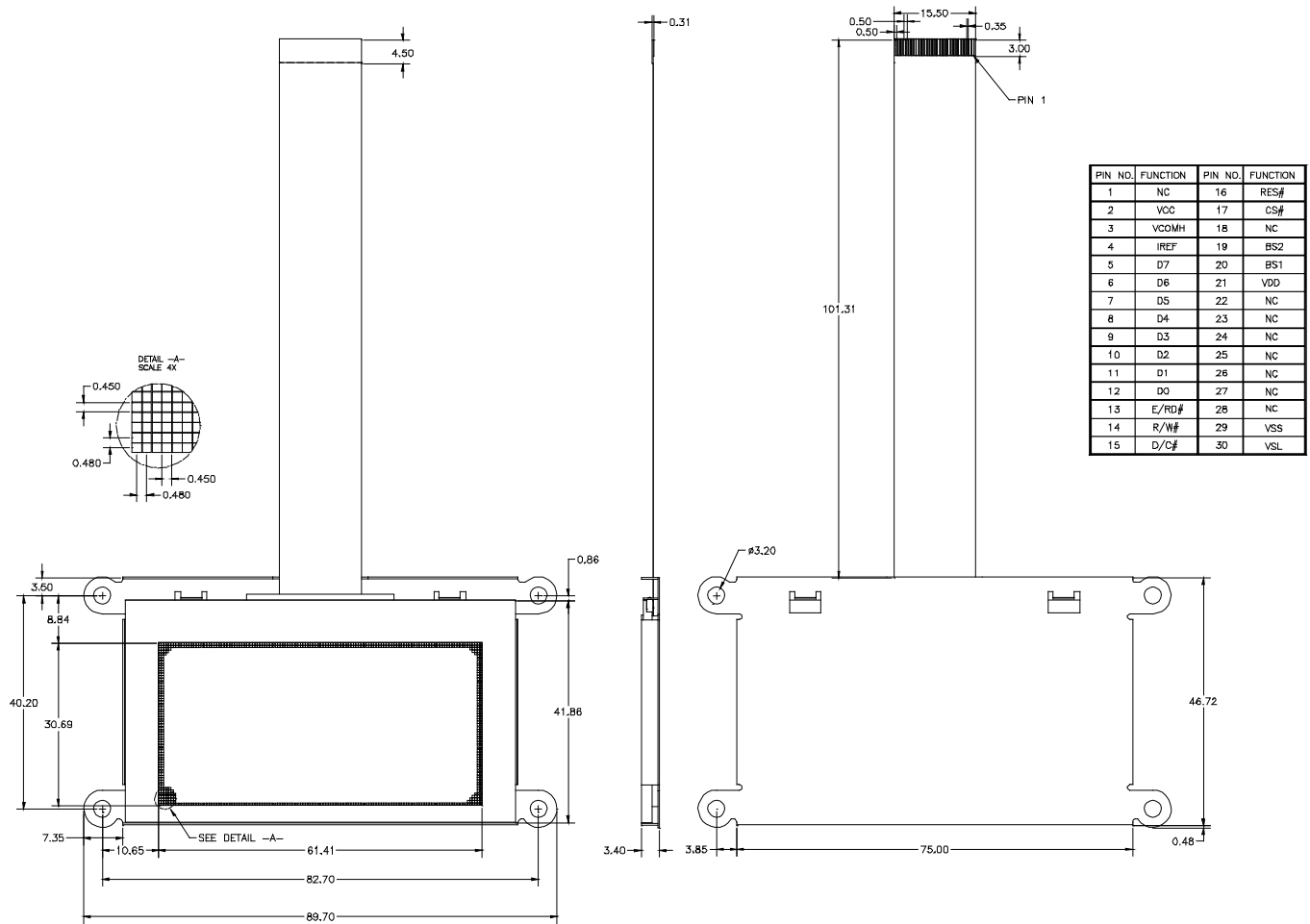
### Applications

- Audio
- Industrial
- Medical
- Instruments

### Specifications

Display Format	128 Columns x 64 Rows				
Diagonal	2.7 inch				
Pixel Pitch	0.48 (H) x 0.48 (W) mm				
Color, Luminance & Lifetime	Color	CIE x	CIE y	cd/m <sup>2</sup>	Lifetime hrs, 25°C
	Elegance Yellow	0.46	0.54	70	55K
	Spring Green	0.41	0.58	100	12K
	70			22K	
Grayscale	4 bit (16 gray levels)				
Active Area	61.4 (W) X 30.7 (H) mm				
Module Size	89.7 (W) X 46.7 (H) X 3.4(T) mm				
Viewing Angle	180°				
Contrast Ratio	2000:1 dark ambient				
Temperature	-30°C to +70°C				
Logic Voltage	2.4V - 3.5V				
Supply Voltage	15V typical				
Power Consumption	0.05 mW (sleep mode)				
Interface	Parallel / Serial, ZIF interconnect				
Driver	SSD0323				
Weight	23g typical				

# Mechanical Dimensions and Pin Description



## Ordering Information

Part Number	Order Number	Description
OS128064PK27MY0B00	Q65110A4433	Pictiva™ 2.7 inch 128x64 OLED Display, Elegance Yellow
OS128064PK27MG0B00	Q65110A4434	Pictiva™ 2.7 inch 128x64 OLED Display, Spring Green

## Contact Information

OSRAM Opto Semiconductors

Asia: +60(4) 631-8100 [prasia@osram-os.com](mailto:prasia@osram-os.com)

Europe: +49 (0)941-850-3535 [pr@osram-os.com](mailto:pr@osram-os.com)

North America: +1-888-446-7726 ext.4310 [info@osram-os.com](mailto:info@osram-os.com)

Web: [www.pictiva.com](http://www.pictiva.com)